



**Robertsfors
Försäljnings AB**

Tool balancers





BALANCER RF 450



Application:

The balancer are adapted for lifting exhaust evacuation houses from the floor to create headroom for walking/driving under the house.

The balancer are also very suitable for balancing hand tools.

Design:

The balancers are made of polyamide.

The pull-out length of wire is 4,5 meters.

The maximum holding force is 16 kg and the force is constant through the entire wire length. The balancers can also be equipped with a locking device. The small number of components means easy servicing. The plastic material is of course possible to recycle. Standard color are grey/black .

Weight: 4 kg

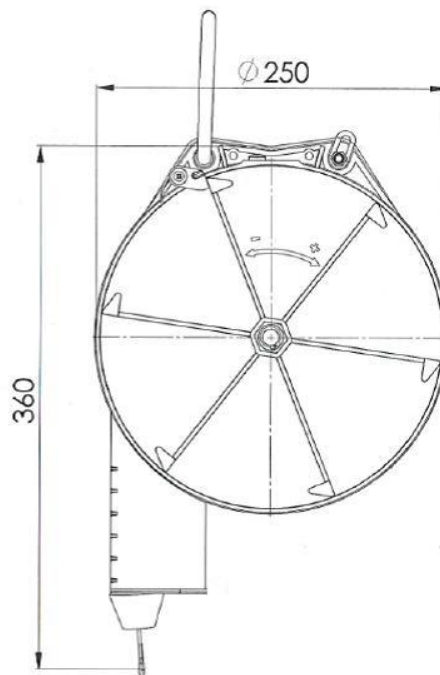
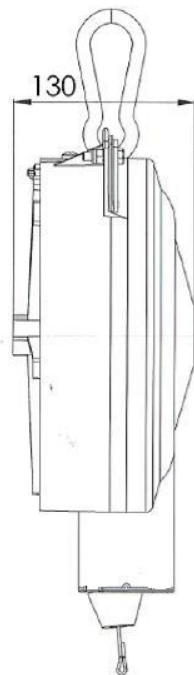
Wire rope length: std 4,5 meters (option up to 11 m)

Spring force: 7, 8, 10, 16 kg

Width: 250 mm

Height: 360 mm

Deep: 130 mm



Robertsfors Försäljnings AB



Article NO	Description	Spring force	Wirelength
RF45007	Balancer RF450	7 kg	4,5m
RF45007S	Balancer RF450S	7 kg	4,5m with Locking device
RF45008	Balancer RF450	8 kg	4,5m
RF45008S	Balancer RF450S	8 kg	4,5m with Locking device
RF45010	Balancer RF450	10 kg	4,5m
RF45010S	Balancer RF450S	10 kg	4,5m with Locking device
RF45016	Balancer RF450	16 kg	4,5m
RF45016S	Balancer RF450S	16 kg	4,5m with Locking device

We can also offer a variation on this balancer with extendable length up to 11 meters.