



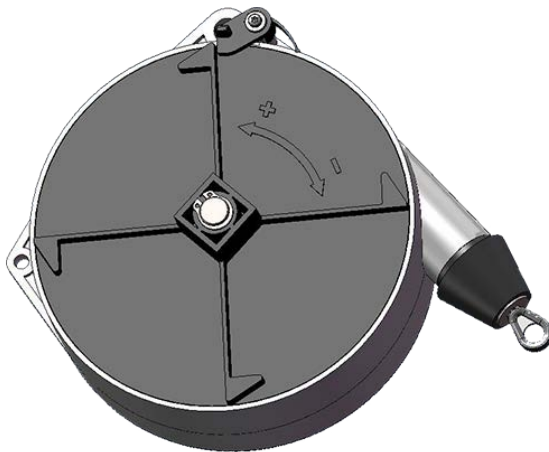
**Robertsfors
Försäljnings AB**

Tool balancers





BALANCER RF 300



Application

The balancers are adapted for lifting exhaust evacuation hoses from the floor to create headroom for walking/driving under the hose.

The balancers are also very suitable for balancing hand tools.

Design

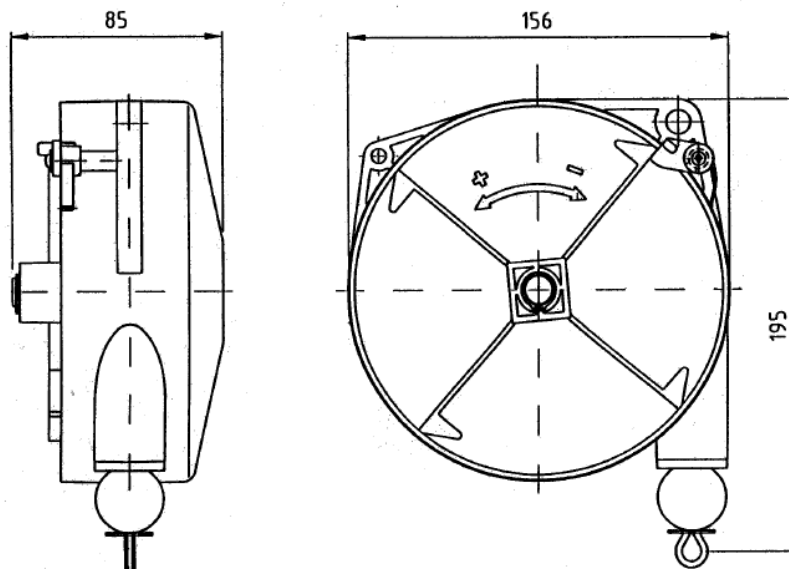
The balancers are made of polyamide. The standard pull-out length of wire is 3 meter and the maximum length is 3,5 m. The maximum holding force is 17 kg and the holding force is progressive. The balancers can also be equipped with a locking device.

The small number of components means easy servicing. The plastic material is of course possible to recycle.

Technical data:

Weight: 2 kg

Spring force: 4-9, 7-14, 8-17 kg



Robertsfors Försäljnings AB



Article No	Description	Spring force	Wirelength
RF200714	Balancer RF300	10-13 kg	2,0m
RF200714S	Balancer RF300	10-13 kg	2,0m with Locking device
RF200817	Balancer RF300	11-15 kg	2,0m
RF200817S	Balancer RF300	11-15 kg	2,0m with Locking device
RF30049	Balancer RF300	4-9 kg	3,0m
RF30049S	Balancer RF300	4-9 kg	3,0m with Locking device
RF300714	Balancer RF300	7-14 kg	3,0m
RF300714S	Balancer RF300	7-14 kg	3,0m with Locking device
RF300817	Balancer RF300	8-17 kg	3,0m
RF300817S	Balancer RF300	8-17 kg	3,0m with Locking device
RF35049	Balancer RF350	3-9 kg	3,5m
RF35049S	Balancer RF350	3-9 kg	3,5m with Locking device
RF350714	Balancer RF350	5-14 kg	3,5m
RF350714S	Balancer RF350	5-14 kg	3,5m with Locking device